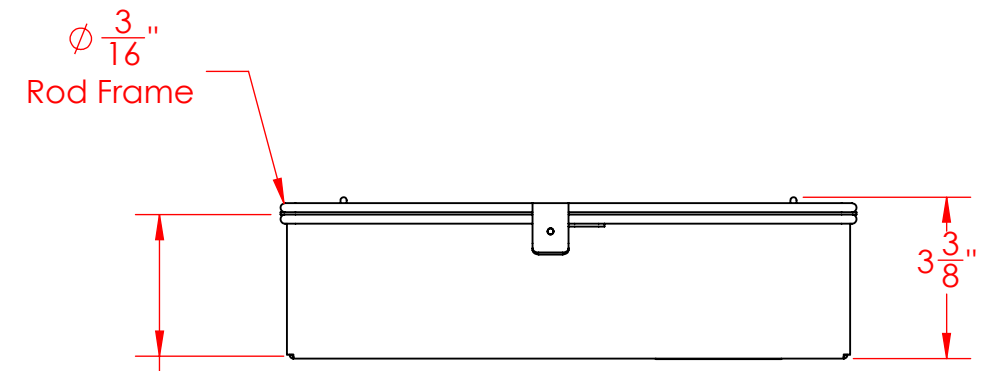
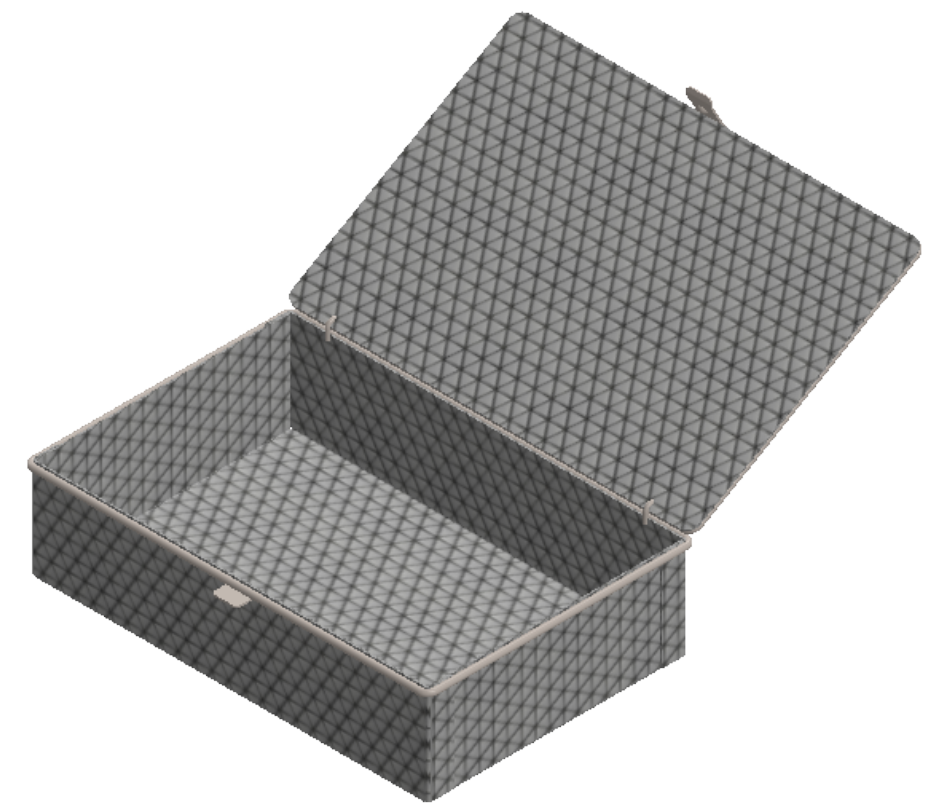
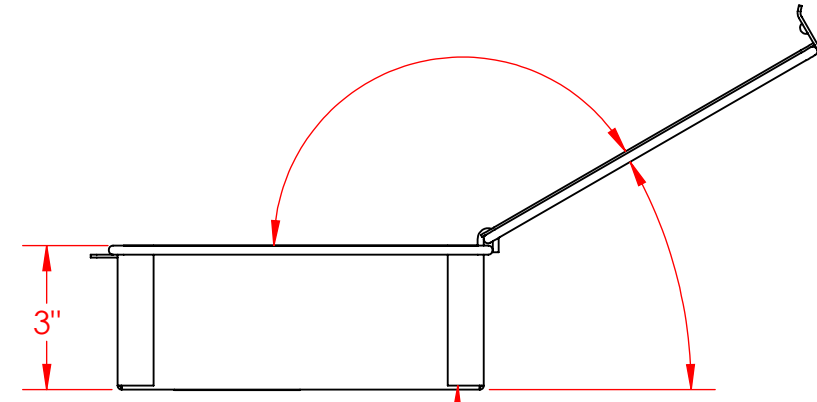


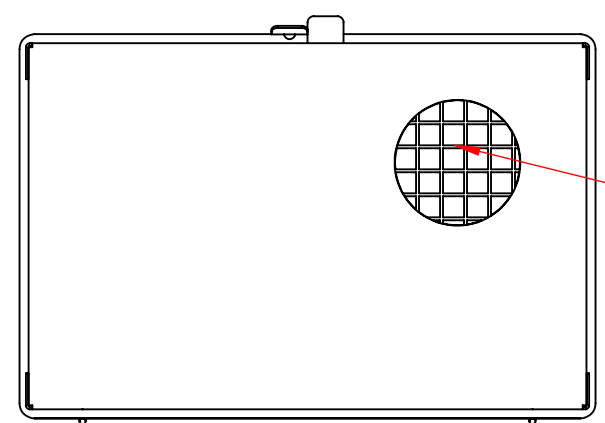
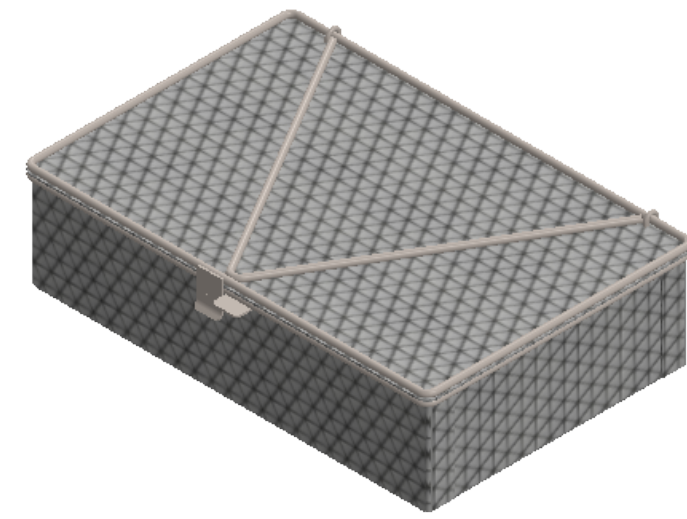
Lid Removed from View to show Approximate Inside Dimensions



2 15/16" Height Under Lid



Mesh Flaps to Close and Secure Corners



One Piece Mesh Body of 2 Mesh x .063" Welded Wire (.437" Openings, 76% Open Area)

UNLESS OTHERWISE SPECIFIED:  
DIMENSIONS ARE IN INCHES  
TOLERANCES:  
FRACTIONAL ± 1/16"  
ANGULAR: ± 5 DEG.  
TWO PLACE DECIMAL ±0.03  
THREE PLACE DECIMAL ±0.015

Light Duty Mesh Basket: 12Lx8Wx3H, 304 SS, Hinged Lid with Thumb Clasp, No Handles, Mesh: 2 x .063

**PROPRIETARY AND CONFIDENTIAL**  
THE INFORMATION CONTAINED IN THIS DRAWING IS THE SOLE PROPERTY OF THREE M TOOL. ANY REPRODUCTION IN PART OR AS A WHOLE WITHOUT THE WRITTEN PERMISSION OF THREE M TOOL IS PROHIBITED.

EST WGT  
1.9 lbs.  
MATERIAL  
304 Stainless Steel  
FINISH  
Natural  
DO NOT SCALE DRAWING

SIZE **B** DWG. NO. FLB-120080030-L02S

SCALE: 1:4

SHEET 1 OF 1